

ATO® /ATC® Style Low Profile Circuit Breakers

Use a manually resettable circuit breaker instead of an ATO or ATC fuse.

- Drop in replacement for ATO and ATC blade style fuses
- Manual push button reset complies with ABYC circuit protection requirements
- Compatible with Water-Resistant ST-Blade Fuse Block (5056/5056100) with cover secured
- Compatible with all other ST-Blade Fuse blocks without cover

**IGNITION
PROTECTED**



Related Products

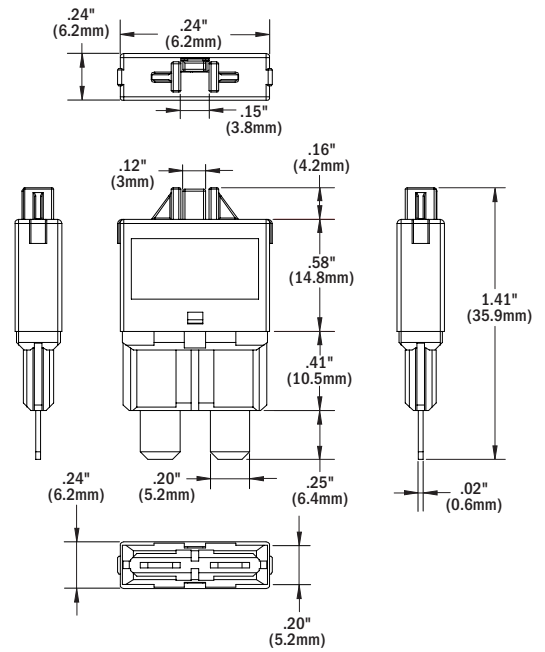


ST-Blade Water-Resistant
Fuse Blocks

Specs

Interrupting Capacity	2,000A @ 28V DC
Voltage Max. Operating	32V DC
Temperature Min. Operating	-40°C (-40°F)
Temperature Max. Operating	85°C (185°F)
Type	Thermal trip, manual reset
Trip Time Delay	See blueseasystems.com
Regulatory	SAE J553, UL 1500, ISO 10924-4, Meets SAE J1171 external ignition protection requirements

Part #	Amps	Color	Retail Pack
7062	5A	LT. Brown	2
7063	7.5A	Moss Green	2
7064	10A	Red	2
7065	15A	Blue	2
7066	20A	Yellow	2
7067	25A	White	2
7068	30A	Green	2



Specifications subject to change. See blueseasystems.com for current information.